



Network Infrastructure Audit Example

Report Version 1.0
19/01/2006

Contents

| | | |
|---|------------------------------|----|
| 1 | Network Structure | 3 |
| 2 | Main Issues..... | 3 |
| | 2.1 Network Structure | 3 |
| | 2.2 Security and DR..... | 4 |
| | 2.3 PC Hardware Issues..... | 4 |
| | 2.4 PC Software Issues | 4 |
| 3 | Recommendations..... | 4 |
| | 3.1 Network Structure | 4 |
| | 3.2 PC Hardware Issues..... | 4 |
| | 3.3 PC Software Issues | 5 |
| | Appendix A..... | 6 |
| | Appendix B..... | 10 |

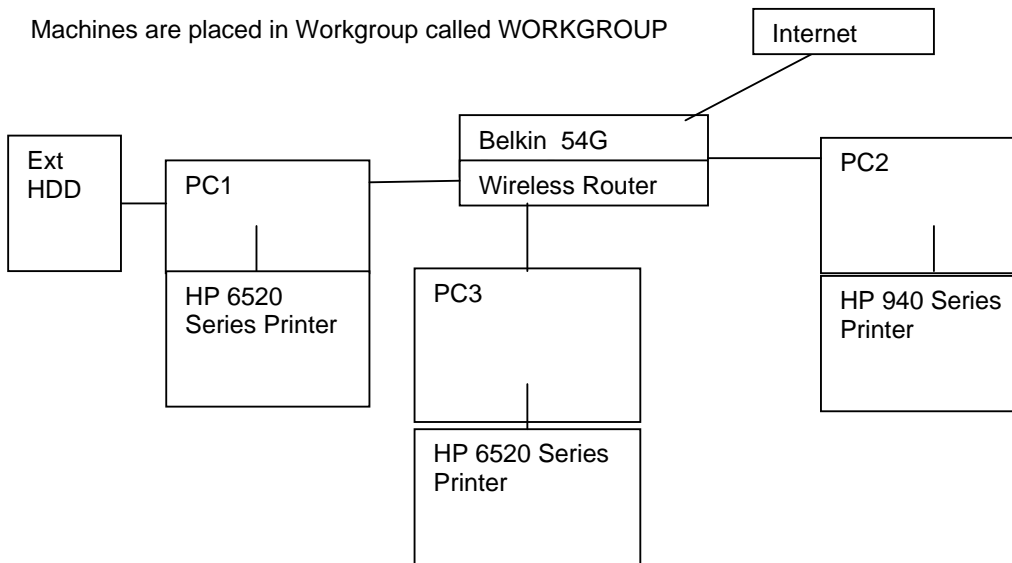
1

Network Structure

Network consists of the following:

- 1 x Generic PC XP Sp 2 PC01
- 1 x Generic PC XP Sp 2 PC2
- 1 x PC3 PC Xp Sp2 PC3
- 1 x 54G Wireless ADSL Router
- 1 x HP 940 Series Inkjet Printer
- 1 x HP 5940 Inkjet Printer
- 1 x HP 6520 Inkjet Printer
- 1 x Generic External HDD

Machines are placed in Workgroup called WORKGROUP



Detailed information is located in the Appendices.

2

Main Issues

This section lists the major issues that were identified during the audit.

2.1 Network Structure

Speed / performance problems were identified. Although anti virus and other software running on the network may cause some of these issues, the primary problem is due to data / files being stored on a pc that is itself used as a client pc for tasks such as word processing. Cabling appears to be in good condition.

2.2 Security and DR

No regular backups appear to be performed at present, although an external hard drive is present.

A firewall is running on the router, a password has been set and MAC filtering is enabled.

Antivirus is a mix of Sophos and Kapernasky. It is running and up to date on all pcs.

Port scan revealed all ports are stealthed..

2.3 PC Hardware Issues

PC1
Faulty Front USB
Faulty DVD

PC2
ok

PC3
Faulty CDRW/ DVD Drives

2.4 PC Software Issues

Spyware and hooks present on network. Appears to have been installed as part of applications such as party poker. Several applications are installed which may inhibit performance.

3 Recommendations

This section contains recommendations for both short term remedial work and longer term planning.

3.1 Network Structure

Long term the best performance will be obtained by moving to a client / sever model with the server being dedicated to file storage etc.

In the short term network structure appears to be adequate, however dns server lookups may need to be reconfigured to achieve best performance.

3.2 PC Hardware Issues

Hardware issues can be addressed individually. It would appear that the pc issues will be relatively easy to solve. Costs should equal the value of the equipment.

3.3 PC Software Issues

The following software should be removed from all pcs.

IE 7 - this is pre release software that still has some serious issues associated with it
Kapernasky AV - known to be a poorly performing av product. Replace with Sophos
Diskeeper Professional – known to slow down performance
PartyPoker – known to be spyware
PrevX – Windows Defender more suitable option

Appendix A

PC Hardware Details

| tem | Value |
|-----------------------|--|
| Computer Name | PC1 |
| Network Domain | W |
| Site Name | |
| Computer Role | Workstation, Server |
| Computer Description | |
| Operating System | Microsoft(R) Windows XP Professional |
| Manufacturer | |
| Product Name | |
| Serial Number | |
| Asset Tag | |
| Number Processors | 1 |
| Processor Description | Intel(R) Pentium(R) 4 CPU 2.80GHz, 2799MHz |
| Total Memory | 510MB |
| Total Hard Drive | 112GB |
| Display | 1024 x 768 pixels, true colour |
| System Uptime | 0 Days, 23 Hours, 4 Minutes |
| BIOS Version | INTEL - 20020920 BIOS Date: 09/20/02 16:43:06 Ver: 08.00.05 BIOS Date: 09/20/02 16:43:06 Ver: 08.00.05 |
| User Name | User |
| Timestamp | 06/06/2006 10:14:52 |

| Item | Value |
|-----------------------|--|
| Computer Name | PC1 |
| Network Domain | WORKGROUP |
| Site Name | |
| Computer Role | Workstation, Server, Potential Browser, Backup Browser |
| Computer Description | Users Machine |
| Operating System | Microsoft(R) Windows XP Professional |
| Manufacturer | ASUSTeK Computer INC. |
| Product Name | A7N8X-E |
| Serial Number | xxxxxxxxxxx |
| Asset Tag | Asset-1234567890 |
| Number Processors | 1 |
| Processor Description | AMD Athlon(tm) XP 3200+, 2191MHz |
| Total Memory | 511MB |
| Total Hard Drive | 512GB |
| Display | 1280 x 1024 pixels, true colour |
| System Uptime | 1 Days, 14 Hours, 26 Minutes |
| BIOS Version | Nvidia - 42302e31 Phoenix - AwardBIOS v6.00PG Phoenix-Award BIOS v6.00PG |
| User Name | User |
| Timestamp | 06/06/2006 09:46:27 |

| Item | Value |
|-----------------------|--|
| Computer Name | PC2 |
| Network Domain | WORKGROUP |
| Site Name | |
| Computer Role | Workstation, Server, Potential Browser, Master Browser |
| Computer Description | |
| Operating System | Microsoft(R) Windows XP Professional |
| Manufacturer | ASUSTeK Computer INC. |
| Product Name | A7N8X-E |
| Serial Number | xxxxxxxxxxxx |
| Asset Tag | Asset-1234567890 |
| Number Processors | 1 |
| Processor Description | AMD Athlon(tm) XP 3200+, 2191MHz |
| Total Memory | 511MB |
| Total Hard Drive | 190GB |
| Display | 1280 x 1024 pixels, true colour |
| System Uptime | 3 Days, 0 Hours, 23 Minutes |
| BIOS Version | Nvidia - 42302e31 Phoenix - AwardBIOS v6.00PG Phoenix-Award BIOS v6.00PG |
| User Name | WORKGROUP |
| Timestamp | 06/06/2006 09:53:15 |

Appendix B

PC Software Details

PC3

| Name | Version | Installed |
|---|---------------|-----------|
| Active Directory Service Interface | 5,0,00,0 | Yes |
| Address Book 5 | 6,0,2900,2180 | Yes |
| Advanced Authoring | 6,0,5346,5 | Yes |
| Browser Customizations | 6,0,2800,1106 | Yes |
| Browser Customizations | 6,0,5346,5 | Yes |
| Browsing Enhancements | 6,0,5346,5 | Yes |
| CRLUpdate | 1,0,2195,0 | Yes |
| DirectAnimation Java Classes | 6,00,01,0223 | Yes |
| DirectAnimation | 6,0,3,531 | Yes |
| DirectDrawEx | 4,71,1113,0 | Yes |
| DirectShow | 9,0,0,3250 | Yes |
| Dynamic HTML Data Binding for Java | 4,7,0,0320 | Yes |
| Dynamic HTML Data Binding | 6,0,5346,5 | Yes |
| Fax Provider | 5.1 | Yes |
| Fax | 5.1 | Yes |
| HTML Help | 6,0,5346,5 | Yes |
| IEEX | 6,0,2800,1106 | Yes |
| Internet Explorer 7 | 6,0,5346,5 | Yes |
| Internet Explorer Core Fonts | 6,0,5346,5 | Yes |
| Internet Explorer Help | 6,0,5346,5 | Yes |
| Internet Explorer ReadMe | 6,0,2800,1106 | Yes |
| Internet Explorer Setup Tools | 6,0,5346,5 | Yes |
| Internet Explorer | 6,0,5346,5 | Yes |
| Java (Sun) | 5,0,5000,0 | Yes |
| Macromedia Shockwave Director 10.1 | 10,1,0,11 | Yes |
| Macromedia Shockwave Director 10.1 | 10,1,0,11 | Yes |
| Macromedia Shockwave Flash | 7,0,19,0 | Yes |
| Microsoft Data Access Components KB870669 | 6,0,2800,1106 | Yes |
| Microsoft DirectX | | |
| Microsoft Outlook Express 6 | 6,0,2900,2180 | Yes |
| Microsoft Windows Media Player 6.4 | 9,0,0,3250 | Yes |
| Microsoft Windows Media Player | 9,0,0,3250 | Yes |
| Microsoft Windows Script 5.6 | 5,6,0,8513 | Yes |
| MSN Site Access | 4,9,9,2 | Yes |
| NetMeeting 3.01 | 4,4,0,3400 | Yes |
| Offline Browsing Pack | 6,0,5346,5 | Yes |
| Outlook Express | 2,0,0,0 | Yes |

| | | |
|---------------------------------|---------------|-----|
| Q330994 | 6,0,2800,1165 | Yes |
| Q810847 | 6,0,2800,1141 | Yes |
| Q813489 | 6 | Yes |
| Q813951 | 6,0,2800,1167 | Yes |
| Q818529 | 6,0,2800,1203 | Yes |
| Q822925 | 6,0,2800,1226 | Yes |
| Q823353 | 6,0,2800,1450 | Yes |
| Q824145 | 6,0,2800,1282 | Yes |
| Q828750 | 6,0,2800,1264 | Yes |
| Q831167 | 6,0,2800,1405 | Yes |
| Q832894 | 6,0,2800,1400 | Yes |
| Q837009 | 6,0,2800,1409 | Yes |
| Q867801 | 6,0,2800,1552 | Yes |
| Task Scheduler | 4,71,1968,1 | Yes |
| Themes Setup | 1,1,1,7 | Yes |
| Uniscribe | 6,0,5346,5 | Yes |
| Vector Graphics Rendering (VML) | 6,0,2800,1106 | Yes |
| Viewpoint Media Player | 3,0,15,16 | Yes |
| Viewpoint Media Player | 3,0,15,16 | Yes |
| Web Folders | 10,0,0,1 | Yes |
| Windows Desktop Update | 6,0,2900,2180 | Yes |
| Windows Media Player | 9,0,0,3250 | No |
| Windows Messenger 4.7 | 4,7,0,3000 | Yes |
| Windows Update | 5,1,0,3 | Yes |

Setup Program

| Name | Install Date? | Version |
|--|---------------|---------|
| 7-Zip 3.13 | 24/02/2005 | |
| Ad-Aware SE Personal | 05/06/2006 | 1.06 |
| AddressBook | 10/07/2002 | |
| Adobe Acrobat 5.0 | 28/03/2003 | 5.1 |
| Adobe Atmosphere Player for Acrobat and Adobe Reader | 08/03/2004 | |

| | | |
|--|------------|-----------------|
| Adobe Download Manager 1.2 (Remove Only) | 06/11/2003 | |
| Adobe Photoshop Album 2.0 Starter Edition | 20040220 | 2.00.000 |
| Adobe Reader 6.0 | 20031106 | 6.0 |
| ATI Display Driver | 17/02/2003 | |
| BackWeb-8876480 Uninstaller | 19/08/2005 | |
| Branding | 10/07/2002 | |
| CCleaner (remove only) | 30/05/2006 | |
| Connection Manager | 10/07/2002 | |
| DirectAnimation | 10/07/2002 | |
| DirectDrawEx | 10/07/2002 | |
| DOSH Cashbook | 21/05/2003 | |
| FacFlow for Factoring V4.16 | 20030604 | 4.16.0.0 |
| FacFlow Workstation | 04/06/2003 | |
| Fontcore | 10/07/2002 | |
| Hotfix for Windows XP (KB915865) | 20060530 | 2 |
| hp deskjet 940c series | 10/06/2003 | |
| ICW | 10/07/2002 | |
| IE40 | 26/09/2004 | |
| IE4Data | 10/07/2002 | |
| IE5BAKEX | 10/07/2002 | |
| IEData | 10/07/2002 | |
| InstallShield Uninstall Information | 26/06/2004 | |
| Internet Explorer 7 Beta 2 | 20060530 | 20060413.232842 |
| Internet Explorer Exception pack | 23/02/2003 | |
| Internet Explorer ReadMe | 23/02/2003 | |
| Java 2 Runtime Environment, SE v1.4.1_02 | 25/05/2003 | |
| Java Web Start | 25/05/2003 | |
| KB884016 | 17/04/2005 | |
| Logitech® Camera Driver | 17/08/2005 | |
| Macromedia Shockwave Player | 17/10/2004 | |
| Microsoft Baseline Security Analyzer 1.2.1 | 20040929 | 1.2.4013.0 |
| Microsoft Data Access Components KB870669 | 03/07/2004 | |
| Microsoft FrontPage 2002 | 20060421 | 10.0.6626.0 |

| | | |
|---|------------|-----------------|
| Microsoft NetShow Player 2.0 | 23/04/2003 | |
| Microsoft Office XP Media Content | 20030212 | 10.0.2619.0 |
| Microsoft Office XP Professional | 20060421 | 10.0.6626.0 |
| Microsoft Publisher 2002 | 20060421 | 10.0.6626.0 |
| Microsoft Windows Journal Viewer | 20050417 | 1.5.2316.0 |
| MobileOptionPack | 10/07/2002 | |
| Mozilla Firefox (1.5.0.3) | 19/05/2006 | 1.5.0.3 (en-GB) |
| MPlayer2 | 16/02/2006 | |
| MSI30a-KB884016 | 17/04/2005 | |
| MSI30-Beta1 | 17/04/2005 | |
| MSI30-Beta2 | 17/04/2005 | |
| MSI30-KB884016 | 17/04/2005 | |
| MSI30-RC1 | 17/04/2005 | |
| MSI30-RC2 | 17/04/2005 | |
| MSI31-Beta | 17/04/2005 | |
| MSI31-RC1 | 17/04/2005 | |
| MSN Gaming Zone | 01/12/2003 | |
| MSN Messenger 7.5 | 20050913 | 7.5.0299.0 |
| NatWest Book-Keeper | 12/05/2004 | |
| NetMeeting | 10/07/2002 | |
| Nokia PC Suite 6.2 | 20040626 | 6.2.16 |
| Nokia PC Suite 6.2 | 20040626 | 6.2.16 |
| OutlookExpress | 23/02/2003 | |
| PartyPoker | 03/14/2006 | 92 |
| PCHealth | 10/07/2002 | |
| PowerDVD | 17/02/2003 | |
| Prevx1 | 05/06/2006 | |
| QuickTime | 27/03/2004 | |
| Risk II | 02/08/2005 | |
| SchedulingAgent | 10/07/2002 | |
| Security Update for Windows Media Player (KB911564) | 20060216 | |
| Security Update for Windows Media Player 9 (KB911565) | 20060216 | |
| Security Update for Windows XP (KB883939) | 20050619 | 1 |
| Security Update for Windows XP (KB890046) | 20050619 | 1 |

| | | |
|---|----------|---|
| Security Update for Windows XP (KB893756) | 20050810 | 1 |
| Security Update for Windows XP (KB896358) | 20050619 | 1 |
| Security Update for Windows XP (KB896422) | 20050619 | 1 |
| Security Update for Windows XP (KB896423) | 20050810 | 1 |
| Security Update for Windows XP (KB896424) | 20051109 | 1 |
| Security Update for Windows XP (KB896428) | 20050619 | 1 |
| Security Update for Windows XP (KB896688) | 20051023 | 1 |
| Security Update for Windows XP (KB899587) | 20050810 | 1 |
| Security Update for Windows XP (KB899588) | 20050810 | 1 |
| Security Update for Windows XP (KB899589) | 20051023 | 1 |
| Security Update for Windows XP (KB899591) | 20050810 | 1 |
| Security Update for Windows XP (KB900725) | 20051023 | 1 |
| Security Update for Windows XP (KB901017) | 20051023 | 1 |
| Security Update for Windows XP (KB901214) | 20050714 | 1 |
| Security Update for Windows XP (KB902400) | 20051023 | 1 |
| Security Update for Windows XP (KB903235) | 20050714 | 1 |
| Security Update for Windows XP (KB904706) | 20051023 | 1 |
| Security Update for Windows XP (KB905414) | 20051023 | 1 |
| Security Update for Windows XP (KB905749) | 20051023 | 1 |
| Security Update for Windows XP (KB905915) | 20051214 | 1 |
| Security Update for Windows XP (KB908519) | 20060111 | 1 |
| Security Update for Windows XP (KB908531) | 20060416 | 1 |
| Security Update for Windows XP (KB911562) | 20060416 | 1 |
| Security Update for Windows XP | 20060416 | 1 |

| | | |
|--|----------|---|
| (KB911567) | | |
| Security Update for Windows XP (KB911927) | 20060216 | 1 |
| Security Update for Windows XP (KB912812) | 20060416 | 1 |
| Security Update for Windows XP (KB912919) | 20060106 | 1 |
| Security Update for Windows XP (KB913446) | 20060216 | 1 |

PC1

| ame | Version | Installed |
|------------------------------------|---------------|-----------|
| .NET Framework | 1,0,4322,0 | |
| Active Directory Service Interface | 5,0,00,0 | Yes |
| Address Book 6 | 6,0,2600,0000 | Yes |
| Advanced Authoring | 6,0,5346,5 | Yes |
| Browser Customizations | 6,0,2900,2180 | Yes |
| Browser Customizations | 6,0,5346,5 | Yes |
| Browsing Enhancements | 6,0,5346,5 | Yes |
| DirectAnimation Java Classes | 6,00,01,0223 | Yes |
| DirectAnimation | 6,0,3,531 | Yes |
| DirectDrawEx | 4,71,1113,0 | Yes |
| DirectShow | 9,0,0,3250 | Yes |
| Dynamic HTML Data Binding for Java | 4,7,0,0320 | Yes |
| Dynamic HTML Data Binding | 6,0,5346,5 | Yes |
| HTML Help | 6,0,5346,5 | Yes |
| Internet Explorer 7 | 6,0,5346,5 | Yes |
| Internet Explorer Core Fonts | 6,0,5346,5 | Yes |
| Internet Explorer Help | 6,0,5346,5 | Yes |
| Internet Explorer Setup Tools | 6,0,5346,5 | Yes |
| Internet Explorer | 6,0,5346,5 | Yes |
| Macromedia Shockwave Flash | 7.0.19.0 | Yes |
| Microsoft Outlook Express 6 | 6,0,2900,2180 | Yes |
| Microsoft Windows Media Player 6.4 | 9,0,0,3250 | Yes |
| Microsoft Windows Media Player | 9,0,0,3250 | No |
| Microsoft Windows Media Player | 9,0,0,3250 | Yes |
| Microsoft Windows Media Player | 9,0,0,3250 | Yes |
| Microsoft Windows Script 5.6 | 5,6,0,8820 | Yes |
| MSN Site Access | 4,9,9,2 | Yes |
| NetMeeting 3.01 | 4,4,0,3400 | Yes |
| Offline Browsing Pack | 6,0,5346,5 | Yes |
| Outlook Express | 2,0,0,0 | Yes |
| Task Scheduler | 4,71,1968,1 | Yes |
| Themes Setup | 1,1,1,7 | Yes |
| Uniscribe | 6,0,5346,5 | Yes |
| Vector Graphics Rendering (VML) | 6,0,2462,0001 | Yes |
| Vector Graphics Rendering (VML) | 6,0,2462,0001 | Yes |
| Web Folders | 10,0,0,1 | Yes |
| Windows Desktop Update | 6,0,2900,2180 | Yes |

| | | |
|-----------------------|------------|-----|
| Windows Messenger 4.7 | 4,7,0,3000 | Yes |
|-----------------------|------------|-----|

Setup Program

| Name | Install Date? | Version |
|--|---------------|---------------------------|
| {27579b3c-5470-4496-be6c-0c872674f19f} | 20060601 | 7.0.19.0 |
| Ad-Aware SE Personal | 06/06/2006 | 1.06 |
| AddressBook | 01/06/2006 | |
| Adobe Acrobat 7.0 Professional | 02/06/2006 | 7.0.0 |
| Adobe Acrobat 7.0 Professional | 20060602 | 7.0.0 |
| Adobe Bridge 1.0 | 20060602 | 001.000.000 |
| Adobe Common File Installer | 20060602 | 1.00.0000 |
| Adobe Help Center 1.0 | 20060602 | 001.000.000 |
| Adobe Photoshop CS2 | 02/06/2006 | 9.0 |
| Adobe Photoshop CS2 | 20060602 | 9.0 |
| Adobe Stock Photos 1.0 | 20060602 | 001.000.000 |
| ATI - Software Uninstall Utility | 01/06/2006 | 6.14.10.1010 |
| ATI Catalyst Control Center | 20060601 | 1.0.1657.42386 |
| ATI Control Panel | 01/06/2006 | 6.14.10.5125 |
| ATI Display Driver | 01/06/2006 | 8.062-040929a-018116C-ATI |
| ATI HYDRAVISION | 01/06/2006 | 3.25.9006 |
| Branding | 01/06/2006 | |
| BufferChm | 20060601 | 53.0.13.000 |
| Connection Manager | 01/06/2006 | |
| Destinations | 20060601 | 53.0.13.000 |
| DeviceFunctionQFolder | 20060601 | 1.00.0000 |
| DeviceManagementQFolder | 20060601 | 1.00.0000 |
| DirectAnimation | 01/06/2006 | |
| DirectDrawEx | 01/06/2006 | |
| Diskeeper Professional Edition | 20060602 | 8.0.459 |
| DXM_Runtime | 01/06/2006 | |
| eSupportQFolder | 20060601 | 1.00.0000 |
| Fontcore | 01/06/2006 | |

| | | |
|---|------------|-----------------|
| Hotfix for Windows XP (KB915865) | 20060602 | 2 |
| HP Deskjet 5900 series | 01/06/2006 | 5.0 |
| HP Imaging Device Functions 5.0 | 01/06/2006 | 5.0 |
| HP Software Update | 20060601 | 3.0.5.001 |
| HP Solution Center & Imaging Support Tools 5.0 | 01/06/2006 | 5.0 |
| HPDeskjet5900Series | 20060601 | 1.00.0000 |
| HPProductAssistant | 20060601 | 53.0.13.000 |
| ICW | 01/06/2006 | |
| IE40 | 01/06/2006 | |
| IE4Data | 01/06/2006 | |
| IE5BAKEX | 01/06/2006 | |
| IEData | 01/06/2006 | |
| Internet Explorer 7 Beta 2 | 20060602 | 20060413.232842 |
| iolo technologies' System Mechanic Professional 6 | 01/06/2006 | 6.0s |
| Kaspersky Anti-Virus Personal | 01/06/2006 | 5.0.390 |
| KB884016 | 01/06/2006 | |
| KB893803 | 01/06/2006 | |
| Marvell Miniport Driver | 20060601 | 6.28 |
| Microsoft .NET Framework 1.1 | 20060601 | 1.1.4322 |
| Microsoft Office Standard Edition 2003 | 20060601 | 11.0.5614.0 |
| MobileOptionPack | 01/06/2006 | |
| MPlayer2 | 02/06/2006 | |
| MSI30a-KB884016 | 01/06/2006 | |
| MSI30-Beta1 | 01/06/2006 | |
| MSI30-Beta2 | 01/06/2006 | |
| MSI30-KB884016 | 01/06/2006 | |
| MSI30-RC1 | 01/06/2006 | |
| MSI30-RC2 | 01/06/2006 | |
| MSI31-Beta | 01/06/2006 | |
| MSI31-RC1 | 01/06/2006 | |
| Nero - Burning Rom!UninstallKey | 02/06/2006 | |
| Nero 7 Ultra Edition | 20060602 | 7.01.0735 |
| NeroBackItUp!UninstallKey | 02/06/2006 | |
| NetMeeting | 01/06/2006 | |
| NVIDIA nForce Drivers | 01/06/2006 | |
| OutlookExpress | 01/06/2006 | |
| PCHealth | 01/06/2006 | |

| | | |
|---|------------|---|
| Prevx1R | 04/06/2006 | |
| SchedulingAgent | 01/06/2006 | |
| Security Update for Windows Media Player (KB911564) | 20060602 | |
| Security Update for Windows Media Player 9 (KB911565) | 20060601 | |
| Security Update for Windows XP (KB890046) | 20060602 | 1 |
| Security Update for Windows XP (KB893756) | 20060602 | 1 |
| Security Update for Windows XP (KB896358) | 20060602 | 1 |
| Security Update for Windows XP (KB896422) | 20060602 | 1 |
| Security Update for Windows XP (KB896423) | 20060602 | 1 |
| Security Update for Windows XP (KB896424) | 20060602 | 1 |
| Security Update for Windows XP (KB896428) | 20060602 | 1 |
| Security Update for Windows XP (KB899587) | 20060602 | 1 |
| Security Update for Windows XP (KB899589) | 20060602 | 1 |
| Security Update for Windows XP (KB899591) | 20060602 | 1 |
| Security Update for Windows XP (KB900725) | 20060602 | 1 |
| Security Update for Windows XP (KB901017) | 20060602 | 1 |
| Security Update for Windows XP (KB901214) | 20060602 | 1 |
| Security Update for Windows XP (KB902400) | 20060602 | 1 |
| Security Update for Windows XP (KB904706) | 20060602 | 2 |
| Security Update for Windows XP (KB905414) | 20060602 | 1 |
| Security Update for Windows XP (KB905749) | 20060602 | 1 |
| Security Update for Windows XP (KB908519) | 20060601 | 1 |
| Security Update for Windows XP (KB911562) | 20060602 | 1 |
| Security Update for Windows XP (KB911567) | 20060601 | 1 |
| Security Update for Windows XP | 20060602 | 1 |

| | | |
|---|----------|--------------|
| (KB911927) | | |
| Security Update for Windows XP (KB912812) | 20060602 | 1 |
| Security Update for Windows XP (KB912919) | 20060602 | 1 |
| Security Update for Windows XP (KB913446) | 20060601 | 1 |
| Security Update for Windows XP (KB913580) | 20060602 | 1 |
| SolutionCenter | 20060601 | 50.0.152.000 |
| Status | 20060601 | 53.0.13.000 |
| TrayApp | 20060601 | 53.0.13.000 |
| Update for Windows XP (KB894391) | 20060601 | 1 |
| Update for Windows XP (KB898461) | 20060601 | 1 |
| Update for Windows XP (KB900485) | 20060602 | 2 |

| Name | Install Date? | Version |
|--|---------------|-----------------|
| Update for Windows XP (KB904942) | 20060602 | 2 |
| Update for Windows XP (KB908531) | 20060602 | 2 |
| Update for Windows XP (KB910437) | 20060602 | 1 |
| WebFldrs XP | 20060601 | 9.50.7523 |
| WebReg | 20060601 | 53.0.13.000 |
| Windows Genuine Advantage Notifications (KB905474) | 20060602 | 1.5.0532.0 |
| Windows Installer 3.1 (KB893803) | 01/06/2006 | 3.1 |
| Windows XP Hotfix - KB873339 | 02/06/2006 | 20041117.092459 |
| Windows XP Hotfix - KB885250 | 02/06/2006 | 20050118.202711 |
| Windows XP Hotfix - KB885835 | 02/06/2006 | 20041027.181713 |
| Windows XP Hotfix - KB885836 | 02/06/2006 | 20041028.173203 |
| Windows XP Hotfix - KB886185 | 02/06/2006 | 20041021.090540 |
| Windows XP Hotfix - KB887472 | 02/06/2006 | 20041014.162858 |
| Windows XP Hotfix - KB887742 | 02/06/2006 | 20041103.095002 |
| Windows XP Hotfix - KB888113 | 02/06/2006 | 20041116.131036 |
| Windows XP Hotfix - KB888302 | 02/06/2006 | 20041207.111426 |
| Windows XP Hotfix - KB890859 | 20060601 | 1 |
| Windows XP Hotfix - KB891781 | 02/06/2006 | 20050110.165439 |
| WinRAR archiver | | |

PC2

| Name | Version | Installed |
|--|---------------|-----------|
| .NET Framework | 1,0,4322,1 | |
| Active Directory Service Interface | 5,0,00,0 | Yes |
| Address Book 6 | 6,0,2600,0000 | Yes |
| Advanced Authoring | 6,0,5346,5 | Yes |
| Browser Customizations | 6,0,2900,2180 | Yes |
| Browser Customizations | 6,0,5346,5 | Yes |
| Browsing Enhancements | 6,0,5346,5 | Yes |
| DirectAnimation Java Classes | 6,00,01,0223 | Yes |
| DirectAnimation | 6,0,3,531 | Yes |
| DirectDrawEx | 4,71,1113,0 | Yes |
| DirectShow | 9,0,0,3250 | Yes |
| Dynamic HTML Data Binding for Java | 4,7,0,0320 | Yes |
| Dynamic HTML Data Binding | 6,0,5346,5 | Yes |
| Fax Provider | 5.1 | Yes |
| Fax | 5.1 | Yes |
| HTML Help | 6,0,5346,5 | Yes |
| Internet Explorer 7 | 6,0,5346,5 | Yes |
| Internet Explorer Core Fonts | 6,0,5346,5 | Yes |
| Internet Explorer Help | 6,0,5346,5 | Yes |
| Internet Explorer Setup Tools | 6,0,5346,5 | Yes |
| Internet Explorer | 6,0,5346,5 | Yes |
| Macromedia Flash Player 8 | 8.0.24.0 | Yes |
| Macromedia Shockwave Director 10.1.1 | 10,1,1,16 | Yes |
| Macromedia Shockwave Director 10.1.1 | 10,1,1,16 | Yes |
| Microsoft .NET Framework 1.1 Hotfix (KB886903) | 1,1,4322 | Yes |
| Microsoft .NET Framework 1.1 Service Pack 1 (KB867460) | 1,1,4322 | Yes |
| Microsoft Outlook Express 6 | 6,0,2900,2180 | Yes |
| Microsoft VM | 5,0,3810,0 | Yes |
| Microsoft Windows Media Player 6.4 | 9,0,0,3250 | Yes |
| Microsoft Windows Media Player 6.4 | 9,0,0,3250 | Yes |
| Microsoft Windows Media Player | 9,0,0,3250 | No |
| Microsoft Windows Media Player | 9,0,0,3250 | Yes |
| Microsoft Windows Script 5.6 | 5,6,0,8820 | Yes |
| MSN Site Access | 4,9,9,2 | Yes |
| NetMeeting 3.01 | 4,4,0,3400 | Yes |

| | | |
|---------------------------------|---------------|-----|
| Offline Browsing Pack | 6,0,5346,5 | Yes |
| Outlook Express | 2,0,0,0 | Yes |
| Task Scheduler | 4,71,1968,1 | Yes |
| Themes Setup | 1,1,1,7 | Yes |
| Themes Setup | 1,1,1,7 | Yes |
| Uniscribe | 6,0,5346,5 | Yes |
| Vector Graphics Rendering (VML) | 6,0,2462,0001 | Yes |
| Web Folders | 10,0,0,1 | Yes |
| Windows Desktop Update | 6,0,2900,2180 | Yes |
| Windows Messenger 4.7 | 4,7,0,3000 | Yes |

Setup Program

| Name | Install Date? | Version |
|--|---------------|---------------------------|
| {27579b3c-5470-4496-be6c-0c872674f19f} | 20050212 | 7.0.19.0 |
| 7-Zip 3.13 | 25/02/2005 | |
| ActMon Password Recovery XP V4.03 | 01/06/2006 | 4.03 |
| Ad-Aware SE Personal | 26/05/2006 | 1.06 |
| AddressBook | 12/02/2005 | |
| Adobe Acrobat 7.0 Professional | 20060419 | 7.0.7 |
| Adobe Acrobat 7.0.7 Professional | 19/04/2006 | 7.0.7 |
| Adobe Download Manager 2.0 (Remove Only) | 06/03/2005 | 2.0 |
| Adobe Photoshop CS | 25/02/2005 | CS |
| Alcohol 120% | 20050225 | 1.9.2.1705 |
| A-Ray Scanner 2.0.2.2 | 26/05/2005 | 2.0.2.2 |
| ATI - Software Uninstall Utility | 12/02/2005 | 6.14.10.1010 |
| ATI Catalyst Control Center | 20050212 | 1.0.1657.42386 |
| ATI Control Panel | 12/02/2005 | 6.14.10.5125 |
| ATI Display Driver | 12/02/2005 | 8.062-040929a-018116C-ATI |
| ATI HYDRAVISION | 12/02/2005 | 3.25.9006 |
| Branding | 12/02/2005 | |
| CCleaner (remove only) | 23/05/2006 | |

| | | |
|---|------------|-------------------|
| Connection Manager | 12/02/2005 | |
| DAEMON Tools | 20050225 | 3.47.0 |
| DirectAnimation | 12/02/2005 | |
| DirectDrawEx | 12/02/2005 | |
| Diskeeper Professional Edition | 20050512 | 8.0.459 |
| DXM_Runtime | 12/02/2005 | |
| Fontcore | 12/02/2005 | |
| GFI LANguard Network Security Scanner | 20050812 | 5.0.2004.0420 |
| Hotfix for Windows XP (KB915865) | 20060602 | 2 |
| HP Deskjet 6500 | 20060217 | 1.00.0000 |
| ICW | 12/02/2005 | |
| IE40 | 12/02/2005 | |
| IE4Data | 12/02/2005 | |
| IE5BAKEX | 12/02/2005 | |
| IEData | 12/02/2005 | |
| InstallShield Uninstall Information | 09/09/2005 | |
| Internet Explorer 7 Beta 2 | 20060602 | 20060413.232842 |
| iolo technologies' System Mechanic 5 Professional | 13/04/2005 | |
| iPod for Windows 2005-03-23 | 20050711 | 3.8.0 |
| iPod for Windows 2005-03-23 | 20050711 | 3.8.0 |
| iTunes | 20050909 | 5.0.0.35 |
| iTunes | 20050909 | 5.0.0.35 |
| KB884016 | 14/04/2005 | |
| LiveUpdate BVRP Software | 24/03/2005 | 1.00.005 |
| Macromedia Flash Player 8 | 23/05/2006 | 8 |
| Macromedia Shockwave Player | 23/05/2006 | 10.1.0.11 |
| Marvell Miniport Driver | 20050212 | 6.28 |
| Microsoft .NET Framework 1.1 Hotfix (KB886903) | 07/01/2006 | |
| Microsoft .NET Framework 1.1 | 06/01/2006 | |
| Microsoft .NET Framework 1.1 | 20060107 | 1.1.4322 |
| Microsoft Office Standard Edition 2003 | 20051209 | 11.0.7969.0 |
| mobile PhoneTools | 24/03/2005 | 3.11Ld 07/13/2004 |
| MobileOptionPack | 12/02/2005 | |
| MPlayer2 | 17/02/2006 | |
| MSI30a-KB884016 | 14/04/2005 | |
| MSI30-Beta1 | 14/04/2005 | |

| | | |
|---|------------|------------|
| MSI30-Beta2 | 14/04/2005 | |
| MSI30-KB884016 | 14/04/2005 | |
| MSI30-RC1 | 14/04/2005 | |
| MSI30-RC2 | 14/04/2005 | |
| MSI31-Beta | 14/04/2005 | |
| MSI31-RC1 | 14/04/2005 | |
| MsJavaVM | 12/02/2005 | |
| MSN Messenger 7.5 | 20051222 | 7.5.0311.0 |
| Nero - Burning Rom!UninstallKey | 26/03/2005 | |
| Nero Suite | 24/02/2005 | |
| NeroVision!UninstallKey | 24/02/2005 | |
| NetMeeting | 12/02/2005 | |
| NMPUninstallKey | 24/02/2005 | |
| NVIDIA Drivers | 28/04/2005 | |
| Outlook Password Recovery Master 1.0 | 01/06/2006 | |
| OutlookExpress | 12/02/2005 | |
| PartyPoker | 03/10/2006 | 92 |
| PCHealth | 12/02/2005 | |
| Prevx1 | 03/06/2006 | |
| QuickTime | 20050909 | 7.0.2 |
| QuickTime | 20050909 | 7.0.2 |
| Risk II | 25/06/2005 | |
| SchedulingAgent | 12/02/2005 | |
| Security Update for Windows Media Player (KB911564) | 20060217 | |
| Security Update for Windows Media Player 9 (KB911565) | 20060217 | |
| Security Update for Windows XP (KB883939) | 20050618 | 1 |
| Security Update for Windows XP (KB890046) | 20050618 | 1 |
| Security Update for Windows XP (KB893756) | 20050812 | 1 |
| Security Update for Windows XP (KB896358) | 20050618 | 1 |
| Security Update for Windows XP (KB896422) | 20050618 | 1 |
| Security Update for Windows XP (KB896423) | 20050812 | 1 |
| Security Update for Windows XP (KB896424) | 20051111 | 1 |

| | | |
|---|----------|---|
| Security Update for Windows XP (KB896428) | 20050618 | 1 |
| Security Update for Windows XP (KB896688) | 20051022 | 1 |
| Security Update for Windows XP (KB899587) | 20050812 | 1 |
| Security Update for Windows XP (KB899588) | 20050812 | 1 |
| Security Update for Windows XP (KB899589) | 20051022 | 1 |
| Security Update for Windows XP (KB899591) | 20050812 | 1 |
| Security Update for Windows XP (KB900725) | 20051022 | 1 |
| Security Update for Windows XP (KB901017) | 20051022 | 1 |
| Security Update for Windows XP (KB901214) | 20050714 | 1 |
| Security Update for Windows XP (KB902400) | 20051022 | 1 |
| Security Update for Windows XP (KB903235) | 20050714 | 1 |
| Security Update for Windows XP (KB904706) | 20051022 | 1 |
| Security Update for Windows XP (KB905414) | 20051022 | 1 |
| Security Update for Windows XP (KB905749) | 20051022 | 1 |

| Name | Install Date? | Version |
|---|---------------|---------|
| Security Update for Windows XP (KB905915) | 20051217 | 1 |
| Security Update for Windows XP (KB908519) | 20060202 | 1 |
| Security Update for Windows XP (KB908531) | 20060420 | 1 |
| Security Update for Windows XP (KB911562) | 20060420 | 1 |
| Security Update for Windows XP (KB911567) | 20060420 | 1 |
| Security Update for Windows XP (KB911927) | 20060217 | 1 |
| Security Update for Windows XP (KB912812) | 20060420 | 1 |

| | | |
|--|------------|-----------------|
| Security Update for Windows XP (KB912919) | 20060106 | 1 |
| Security Update for Windows XP (KB913446) | 20060217 | 1 |
| Security Update for Windows XP (KB913580) | 20060510 | 1 |
| Shockwave Director 10.1.1 | 23/05/2006 | |
| Sophos Anti-Virus | 20060527 | 5.2.2 |
| Sophos AutoUpdate | 20060424 | 1.4.0.3 |
| Update for Windows XP (KB894391) | 20050812 | 1 |
| Update for Windows XP (KB896727) | 20050812 | 1 |
| Update for Windows XP (KB898461) | 20050630 | 1 |
| Update for Windows XP (KB900485) | 20060426 | 2 |
| Update for Windows XP (KB904942) | 20060602 | 2 |
| Update for Windows XP (KB910437) | 20051217 | 1 |
| VideoLAN VLC media player 0.8.4a | 20/01/2006 | 0.8.4a |
| WebEx | 27/03/2006 | |
| WebFldrs XP | 20050212 | 9.50.7523 |
| Windows Genuine Advantage Notifications (KB905474) | 20060522 | 1.5.0532.0 |
| Windows Genuine Advantage v1.3.0254.0 | 20060106 | 1.3.0254.0 |
| Windows Installer 3.1 (KB893803) | 21/05/2005 | 3.1 |
| Windows Installer 3.1 (KB893803) | 21/05/2005 | 3.1 |
| Windows Password Expert Ver 1.2 | 01/06/2006 | 1.2 |
| Windows XP Hotfix - KB867282 | 12/02/2005 | 20050127.090417 |
| Windows XP Hotfix - KB873333 | 12/02/2005 | 20050114.005213 |
| Windows XP Hotfix - KB873339 | 12/02/2005 | 20041117.092459 |
| Windows XP Hotfix - KB885250 | 12/02/2005 | 20050118.202711 |
| Windows XP Hotfix - KB885835 | 12/02/2005 | 20041027.181713 |
| Windows XP Hotfix - KB885836 | 12/02/2005 | 20041028.173203 |
| Windows XP Hotfix - KB886185 | 12/02/2005 | 20041021.090540 |
| Windows XP Hotfix - KB887472 | 12/02/2005 | 20041014.162858 |
| Windows XP Hotfix - KB887742 | 24/02/2005 | 20041103.095002 |
| Windows XP Hotfix - KB888113 | 12/02/2005 | 20041116.131036 |
| Windows XP Hotfix - KB888302 | 12/02/2005 | 20041207.111426 |
| Windows XP Hotfix - KB890047 | 12/02/2005 | 20041221.124506 |
| Windows XP Hotfix - KB890175 | 12/02/2005 | 20041201.233338 |
| Windows XP Hotfix - KB890859 | 20050414 | 1 |
| Windows XP Hotfix - KB890923 | 20050414 | 1 |
| Windows XP Hotfix - KB891781 | 12/02/2005 | 20050110.165439 |

| | | |
|------------------------------|------------|-----|
| Windows XP Hotfix - KB893066 | 20050414 | 1 |
| Windows XP Hotfix - KB893086 | 20050414 | 1 |
| XviD 1.1 final uninstall | 20/01/2006 | 1.1 |